



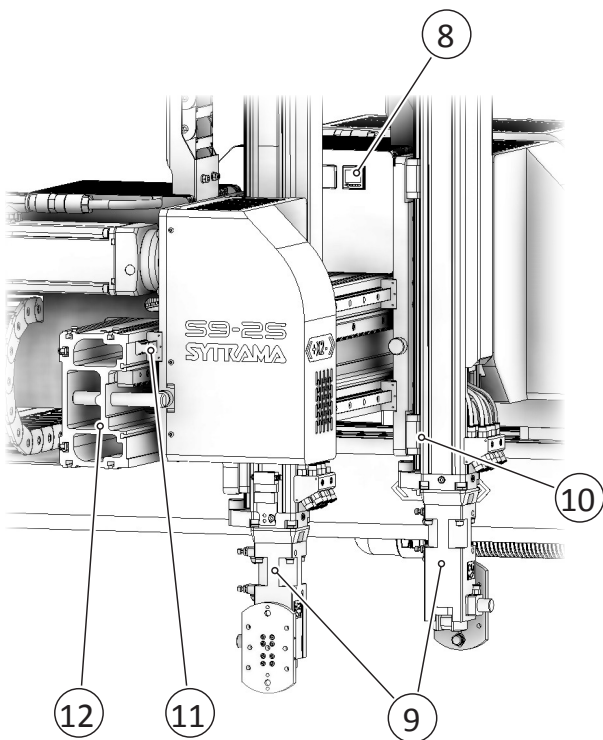
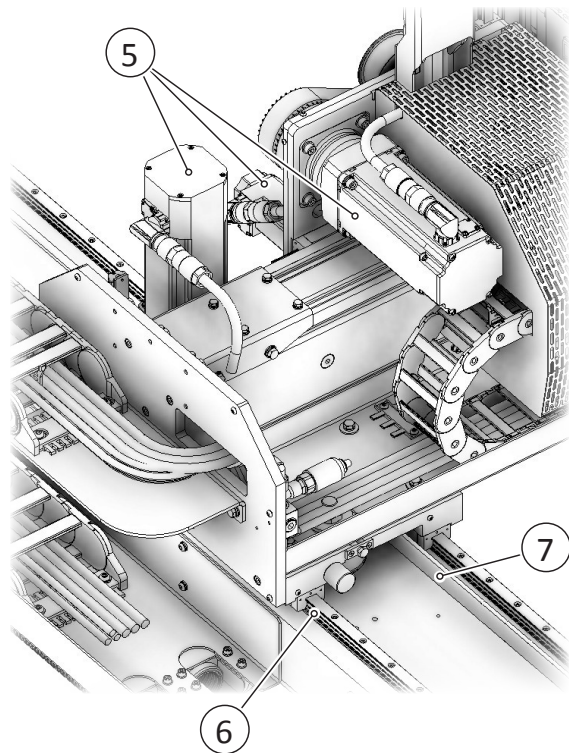
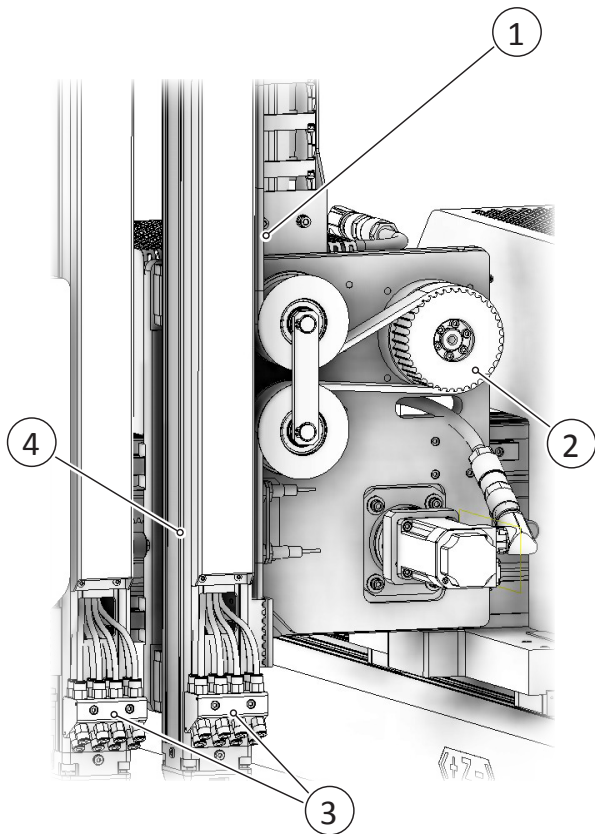
		Transverse axis	Vertical axis	Extraction axis	SCP2 control panel
<b>Working stroke</b>	(mm)	2000	1200	600	Storage for 100 programs with 300 program lines
<b>Top speed</b>	(m/s)	2	4	1	Standard palletizing program
<b>Application on injection moulding machines</b>	(tonnes)	300-450			Immediate switching between 2 languages, multiple language available
<b>Positioning reproducibility</b>	(mm)	± 0.2			User definable safe working areas (8 in total)
<b>Manipulable weight</b>	(kg) *	10			Program backup/restore via USB
<b>Pickup device turning</b>	(C axis)	0° - 90°			Multiple passwords allow customized protection levels
<b>Pickup device rotation</b>	(A axis)	0°-90°/0°-180° (Optional)			Control monitors system conditions and maintenance status
<b>Piece presence control with vacuum switch</b>		standard			Expandable and removable 12 Input and 12 Output modules
<b>E.O.A.T control</b>		standard			Controls up to 6 axis, with synchro movements
<b>Compressed air supply</b>	(bar) kPa	(6) 600			Remote assistance via ethernet available on request
<b>Venturi vacuum system max. air consumption</b>	(l/min)	24			Runs up to 10 parallel programs
<b>Mains voltage</b>		3x400-480 VAC TT TN system			Easy positioning teaching
<b>Maximum rated power</b>	(kW)	4,3			
<b>Auxiliary control voltage</b>	(V d.c.)	24			
<b>Noise level</b>	dB(A)	<85			
<b>Paintwork</b>		RAL 7016 - RAL 9022			
<b>Electrical panel paintwork</b>		RAL 7035			
<b>Interfacing</b>		Euromap 67 - 12 (optional)			
<b>Weight of manipulator</b>	(kg)	465			
<b>Weight of electrical panel</b>	(kg)	73			

\* Including pickup device and depending on application, speeds and accelerations

Technical data are not binding and are subject to modification without notice

# S9-25

# SYTRAMA



1. *Y axis high power belt*
2. *low maintenance and accurate belt transmission*
3. *easy connection for pneumatic utilities*
4. *special aluminum designed for high stiffness*
5. *brushless motor*
6. *Z axis high-precision guiding system with sliding block on prismatic guides*
7. *Z axis high power belt*
8. *analogic measuring vacuum, programmable from keyboard*
9. *0°-90° pneumatic overturning*
10. *Y axis high-precision guiding system with sliding block on prismatic guides*
11. *X axis high-precision guiding system with sliding block on prismatic guides*
12. *special aluminum designed for high stiffness*